

Securev+™ Belts

The first hybrid positive drive system

Securev™ belts with friction drive incorporated with the timing belt 25T10 create a positive drive. These two elements combined allow a unique hybrid system regulating power transmission according to specific process parameters.



Great dimensional and structural stability of the Securev™ belt, combined with a unique hybrid positively driven system



True Process Belts

- Indexed operation/process synchronisation
- Very precise positioning and timing of conveyed products
- Positive drive possible in difficult conveying situations such as oily and humid environments: excellent traction control
- Timing belt tracking and bi-directional
- Optimised tracking

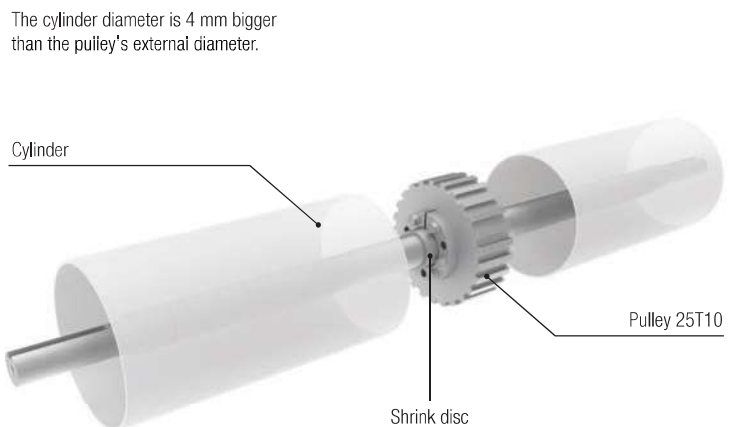
securev+
hygiène et sécurité

Timing Belt

- 25T10 TPU reinforced with Kevlar® (drowned yarn)
- Width 25 mm - pitch 10 mm

Specific Drive Pulley

- Width 28 mm
- Outer Ø from 60 to 200 mm
- Stainless steel, nylon or aluminium
- Various assembling systems available on common shafts on round or square bores and different locking collar systems



Motor drum principle for timing belt 25T10